 GZTECH	Specifications QCW Fiber Laser Model: YFQCW-150-MM	Revision:	V1.0
		Date:	202207
		Page:	1/5


1. Optical characteristics

N	Characteristics	Value (Range)	Unit
1	Central Wavelength	1075-1085	nm
2	Spectral width @ 3dB	<5	nm
3	Max. Avg. Power	CW Mode	300
		Pulsed Mode	150
4	Max. Peak Power	1500	W
5	Max. Pulse Energy	15	J
6	Operation Mode	Pulsed / CW	/
7	Power Turning Range	10-100	%
8	Pulse Duration	0.02-50	ms
9	Operation Frequency	≤20	kHz
10	Duty Cycle	≤50	%
11	Laser switching ON/OFF time	<10	μs
12	Output Power Instability	<5	%
13	Beam Quality (M ²)	>3.5	/



GZTECH

Advanced laser source manufacturer
<https://en.gzlasertech.com/>

 GZTECH	Specifications	Revision:	V1.0
	QCW Fiber Laser	Date:	202207
	Model: YFQCW-150-MM	Page:	2/5

14	Polarization	Random	/
15	Red Guide Laser Power	0.3-2	mW
16	Output Fiber Termination	QCS or QBH(Default)	/
17	QBH Beam Divergence	<120	mrad
18	QCS collimated beam diameter (4σ)	6 ± 0.5	mm
19	Delivery Fiber Length	5	m
20	Output Fiber Core Diameter	50um	μm


2. Electrical characteristics

N	Characteristics	Value (Range)	Unit
21	Analog Power Control	0-10	V
22	Input AC Voltage	220	VAC
23	Laser Operating Current	<10	A
24	Maximum Power Consumption	<2200	W



GZTECH

Advanced laser source manufacturer
<https://en.gzlasertech.com/>

 GZTECH	Specifications	Revision:	V1.0
	QCW Fiber Laser	Date:	202207
	Model: YFQCW-150-MM	Page:	3/5

3. Environmental requirements

N	Characteristics	Value (Range)	Unit
25	Operating Ambient Temperature Range	0 - 40	°C
26	Storage Temperature	-10 - 60	°C
27	Cooling Method	Forced Air	/


4. Structural characteristics

N	Characteristics	Value (Range)	Unit
28	Laser Color	Red	/
29	Laser Dimensions	627*481*164	mm
30	QBH Dimension	Standard	/
31	QCS Dimension	Φ24*190 (Optional)	mm
32	Net Weight	<45	kg

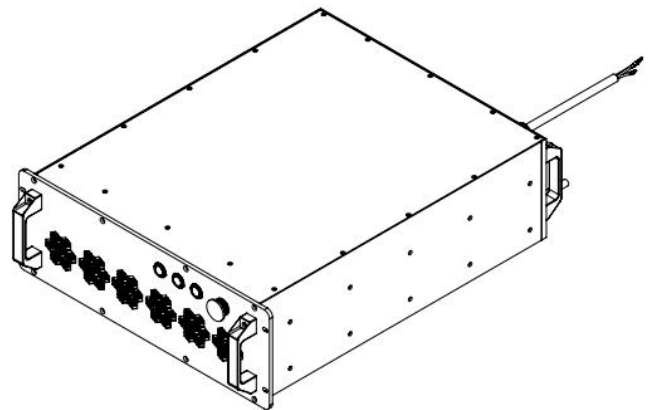
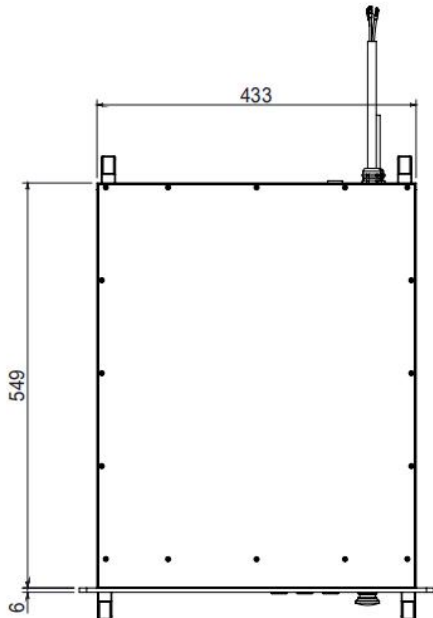
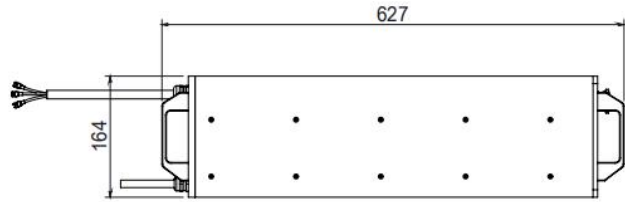
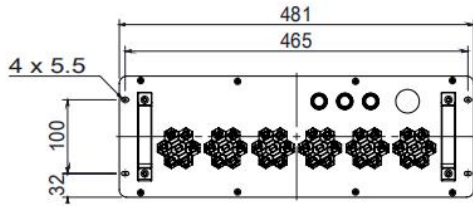


GZTECH

Advanced laser source manufacturer
<https://en.gzlasertech.com/>

 GZTECH	Specifications	Revision:	V1.0
	QCW Fiber Laser	Date:	202207
	Model: YFQCW-150-MM	Page:	4/5

5. Dimension

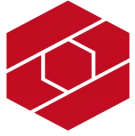


Laser Dimensions



GZTECH

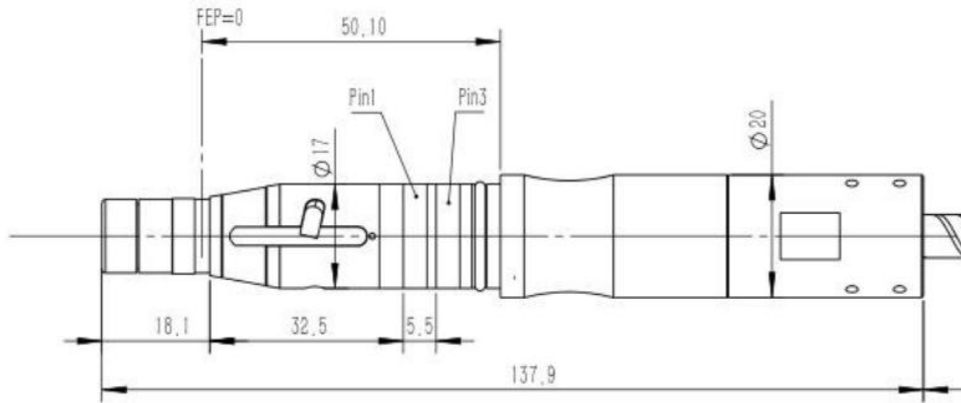
Advanced laser source manufacturer
<https://en.gzlasertech.com/>



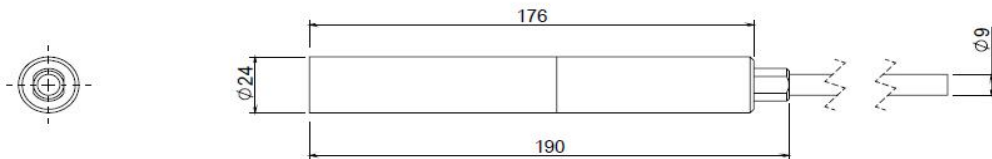
GZTECH

Specifications
QCW Fiber Laser
Model: YFQCW-150-MM

Revision: V1.0
Date: 202207
Page: 5/5



QBH Dimensions



QCS Dimensions



GZTECH

Advanced laser source manufacturer
<https://en.gzlasertech.com/>