
 <b>GZTECH</b>	<b>Specifications</b> <b>MOPA Pulsed Green Fiber Laser</b> <b>Model: YFPP-40-GR-SN0202W</b>	<b>Version:</b> V 1.1 <b>Date:</b> 202206 <b>Page:</b> 1/4
--	---	--

## 1. Optical characteristics

N	Characteristics	Parameter value	Unit	Note
1	Central wavelength	532.0±0.2	nm	
2	Spectral width	< 0.2	nm	
3	Maximum single pulse energy	> 10	μJ	
4	Output Power	> 40	W	@1200kHz
5	Power tunable range	0 - 100	%	
6	Frequency tunable range	500 - 2000	kHz	
7	ON/OFF light response time	< 20	μs	
8	Pulse Width	1 ~ 2	ns	
9	Output power stability	< 5	%	PV value
10	Number of pulses in macropulse	3	/	Tunable
11	Beam quality M2	< 1.1	/	
12	Polarization direction	Level	/	
13	Resist high reaction	Yes	/	
14	Collimated Beam diameter (4σ)	1 ~ 2	mm	
15	Delivery cable length	2	m	



 <b>GZTECH</b>	<b>Specifications</b> MOPA Pulsed Green Fiber Laser Model: YFPP-40-GR-SN0202W	Version:	V 1.1
		Date:	202206
		Page:	2/4

## 2. Electrical characteristics

N	Characteristics	Parameter value	Unit
16	Power supply voltage	48	VDC
17	Working current	< 6	A
18	Power consumption	< 300	W
19	Recommended power	≥ 350	W


## 3. Environmental requirements

N	Characteristics	Parameter value	Unit
20	Operating temperature	10 ~ 40	°C
21	Storage temperature	-20 ~ 60	°C
22	Cooling Method	Water cooling	/

## 4. Structural characteristics

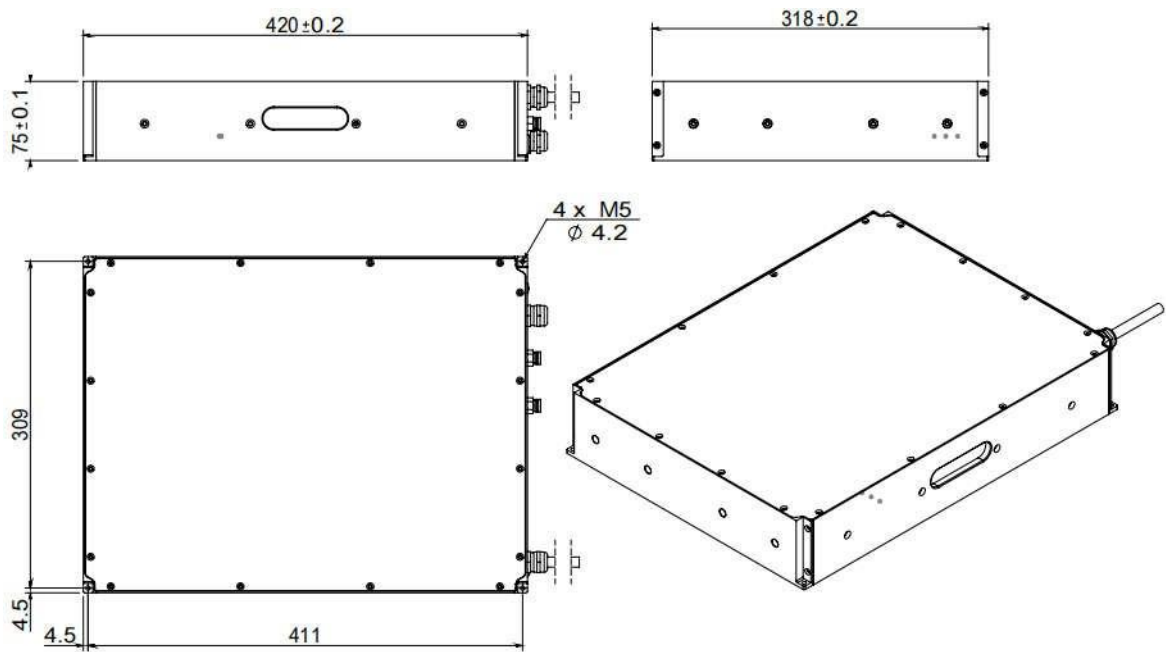
N	Characteristics	Parameter value	Unit
23	Laser dimension	420*318*75	mm <sup>3</sup>
24	Multiplier head size	270*200*117	mm <sup>3</sup>
25	Net weight	< 25	kg



 <b>GZTECH</b>	<b>Specifications</b> MOPA Pulsed Green Fiber Laser Model: YFPP-40-GR-SN0202W	Version: V 1.1 Date: 202206 Page: 3/4
--	---	---

## 5. Dimension

### Laser dimension





GZTECH

Specifications  
MOPA Pulsed Green Fiber Laser  
Model: YFPP-40-GR-SN0202W

Version: V 1.1  
Date: 202206  
Page: 4/4

### Output head dimension

