	Specifications	Revision:	V1.0
	QCW Fiber Laser	Date:	202207
	Model: YFQCW-150-SM	Page:	1/5

## 1. Optical characteristics


N	Characteristics		Value (Range)	Unit
1	Central Wavelength		1060-1090	nm
2	Spectral width @ 3dB		<5	nm
3	Operation Mode		Pulsed / CW	/
4	Max. Avg.	CW Mode	150	W
	Power	Pulsed Mode	1500	
5	Continuous Mode Power		300	W
6	Max. Pulse Energy		15	J
7	Power Turning Range		10-100	%
8	Pulse Duration		0.02-50	ms
9	Modulation frequency		0-5	kHz
10	Duty Cycle		≤50	%
11	Laser switching ON/OFF time		<100	μs
12	Output Power Instability		<5	%



**GZTECH**

Advanced laser for precision manufacturing

<https://en.gzlasertech.com/>

	Specifications	Revision:	V1.0
	QCW Fiber Laser	Date:	202207
	Model: YFQCW-150-SM	Page:	2/5

13	Beam Quality ( $M^2$ )	<1.2	/
14	Polarization	Random	/
15	Red Guide Laser Power	0.3-2	mW
16	Output Fiber Termination	QBH (QCS optional)	/
17	QBH Beam Divergence	<120	mrad
18	QCS collimated beam diameter ( $4\sigma$ )	$6 \pm 0.5$	mm
19	Delivery Fiber Length	5	m
20	Output Fiber Core Diameter	14	$\mu\text{m}$

## 2. Electrical characteristics


N	Characteristics	Value (Range)	Unit
21	Analog Power Control	0-10	V
22	Input AC Voltage	220	VAC
23	Laser Operating Current	<10	A
24	Maximum Power Consumption	<2200	W



**GZTECH**

Advanced laser for precision manufacturing

<https://en.gzlasertech.com/>

	Specifications	Revision:	V1.0
	QCW Fiber Laser	Date:	202207
	Model: YFQCW-150-SM	Page:	3/5

### 3. Environmental requirements

N	Characteristics	Value (Range)	Unit
25	Operating Ambient Temperature Range	0 - 40	°C
26	Storage Temperature	-10 - 60	°C
27	Cooling Method	Air cooling	/

### 4. Structural characteristics


N	Characteristics	Value (Range)	Unit
28	Laser Color	Red	/
29	Laser Dimensions	627*481*164	mm
30	QBH Dimension	Standard	/
31	QCS Dimension	Φ24*190 (Optional)	mm



**GZTECH**

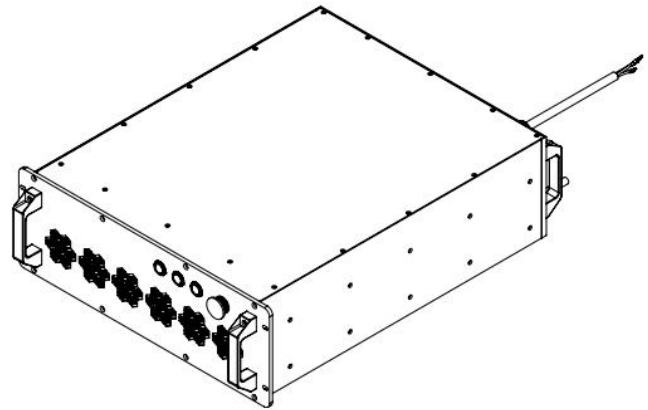
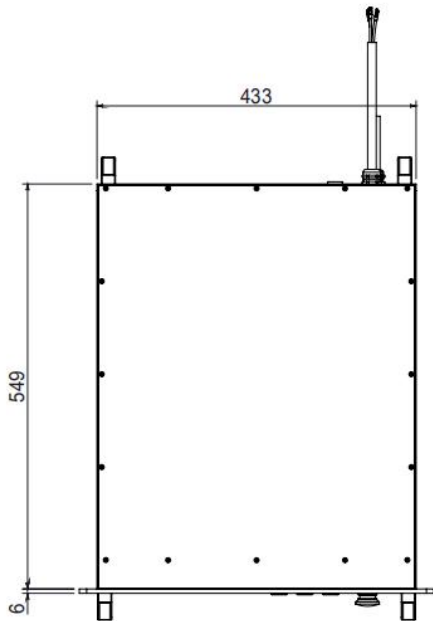
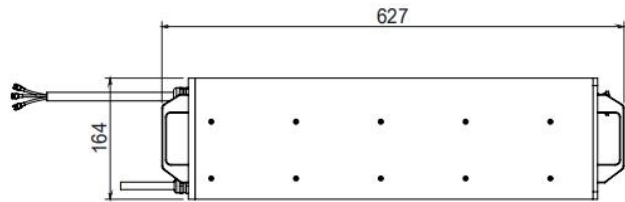
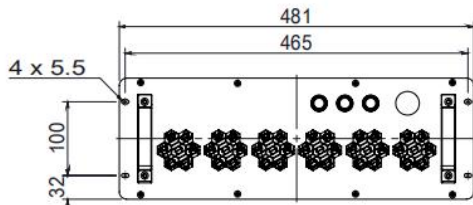
Advanced laser for precision manufacturing

<https://en.gzlasertech.com/>

	Specifications	Revision:	V1.0
	QCW Fiber Laser	Date:	202207
	Model: YFQCW-150-SM	Page:	4/5

32	Net Weight	<45	kg
----	------------	-----	----

## 5. Dimension




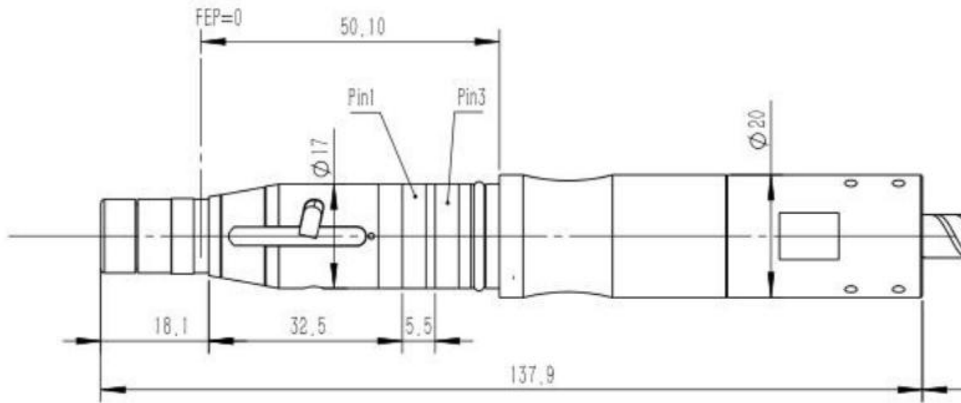
**Laser Dimensions**



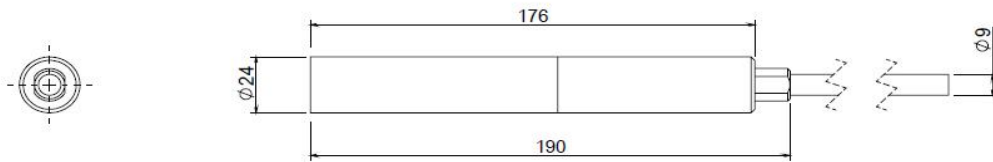
**GZTECH**

Advanced laser for precision manufacturing  
<https://en.gzlasertech.com/>

	Specifications	Revision:	V1.0
	QCW Fiber Laser	Date:	202207
	Model: YFQCW-150-SM	Page:	5/5



**QBH Dimensions**



**QCS Dimensions**



**GZTECH**

Advanced laser for precision manufacturing  
<https://en.gzlasertech.com/>